



Connectivity Solutions



Complete or Partial Part #,
Competitor Part # or
Keywords.

[Wireless](#)
[CATV](#)
[Audio & Video](#)
[Networking &
Structured Wiring](#)
[Military & Aerospace](#)
[Test & Measurement](#)
[Home](#)
[Member Access](#)
[Products](#)
[Connectors](#)
[Microwave Components](#)
[CATV Components](#)
[Coaxial Cable Assemblies](#)
[Structured Cabling & Connectors](#)
[Tools & Accessories](#)
[Customer Service](#)
[Request For Quote](#)
[Representatives](#)
[Distributors](#)
[Literature/Catalog Request](#)
[What's New](#)
[About Our Brands](#)
[Legal Terms](#)

© 2007 All Rights Reserved

Product Detail



Product Line:	Cambridge (Click for customer service)
Part Number:	CP-AD851
Description:	N Jack to Bulkhead Jack In-Series Adapter
Product Family:	In-Series Adapters
Body Style:	Bulkhead
Color / Finish:	Nickel
Connector A:	Type N
Connector B:	Type N
Frequency:	11 GHz
Genders:	Female/Female
Ohm:	50
Product Type:	Adapter
RoHS Compliant:	Yes

20070523-1523



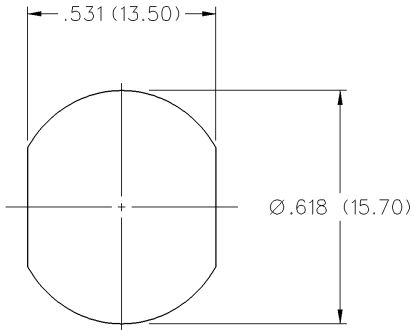
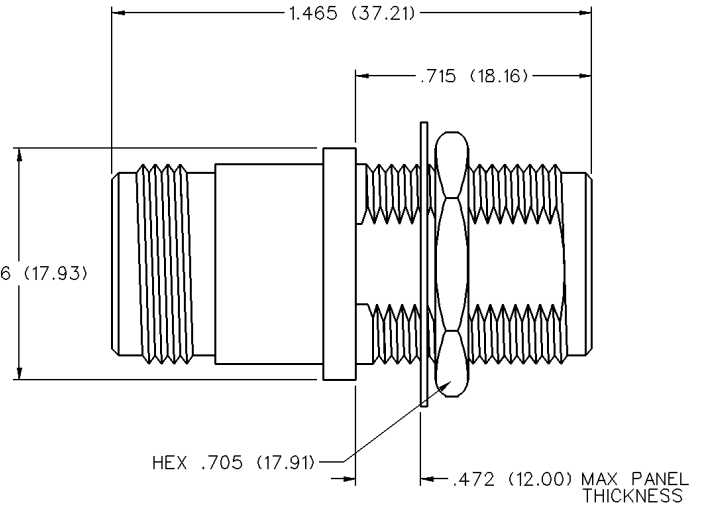
**CAMBRIDGE
PRODUCTS**

INCHES (MILLIMETERS)
CUSTOMER DRAWINGS AVAILABLE UPON REQUEST

Type N Jack to Bulkhead Jack Adapter



CP-AD851



N Connectors

Specifications



INCHES (MILLIMETERS)
CUSTOMER DRAWINGS AVAILABLE UPON REQUEST

The N connector employs a large diameter threaded interface for excellent strength and reliability. This commercial quality connector handles high power applications such as antenna feeds for radios and cell sites. Termination options include crimp and clamp styles for rugged service.

Electrical Characteristics

Impedance: 50 Ohm nominal

Frequency range: 0-11 GHz

Working voltage: 500 volts RMS at sea level

Dielectric withstanding voltage: 1500 volts RMS at sea level

Corona level: 375 volts minimum at 70,000 feet

Contact resistance: Outer - 0.2 milliohms maximum
Center - 2.1 milliohms maximum

Insulation resistance: 5000 megohms minimum

Environmental Characteristics

Recommended temperature range: -65°C to +165°C

Moisture Resistance: MIL-STD-202

Mechanical Characteristics

Durability: 500 cycles

Cable retention: 20 lbs., RG-58 C/U cable

Materials

Body and coupling nut: Brass

Contact: Brass, phosphor bronze or beryllium copper

Crimp sleeve: Brass

Insulator: Teflon® or Delrin®

Hardware: Brass

Plating: Body - Nickel

Crimp sleeve - Nickel

Hardware - Nickel

Contact - Gold

* These are typical and may not apply to all connectors.